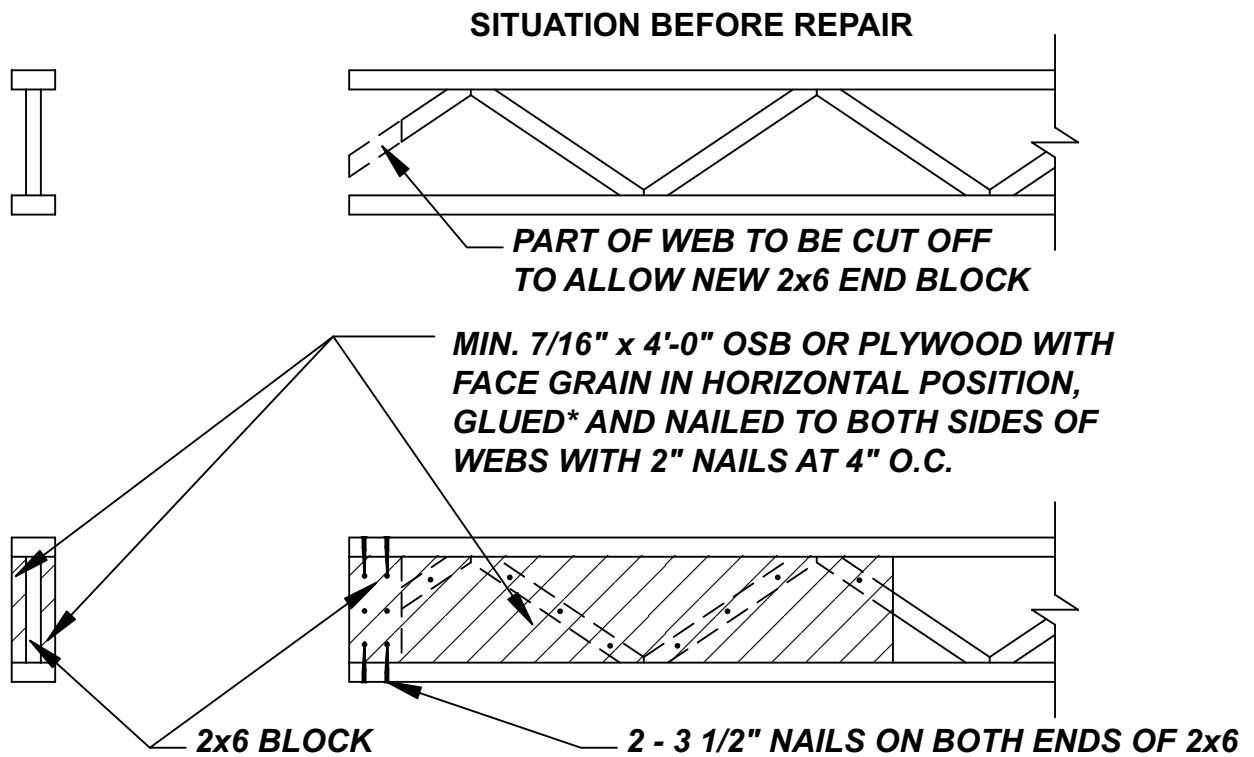
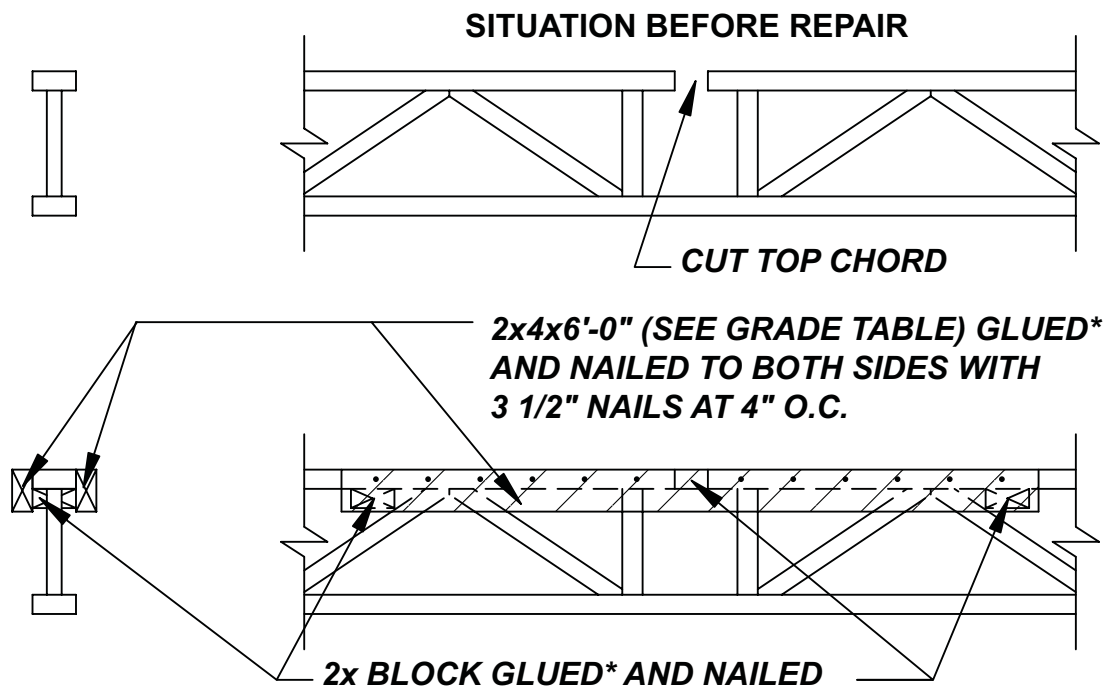


# TYPICAL REPAIR METHOD FOR ACCIDENTALLY CUT JOIST'S END



**\*BULLDOG GRIP PL PREMIUM GLUE OR EQUIVALENT:  
WATERPROOF GLUE WITH A SHEAR STRENGTH  
GREATER THAN 540 PSI.**

# TYPICAL REPAIR METHOD FOR ACCIDENTALLY CUT TOP CHORD

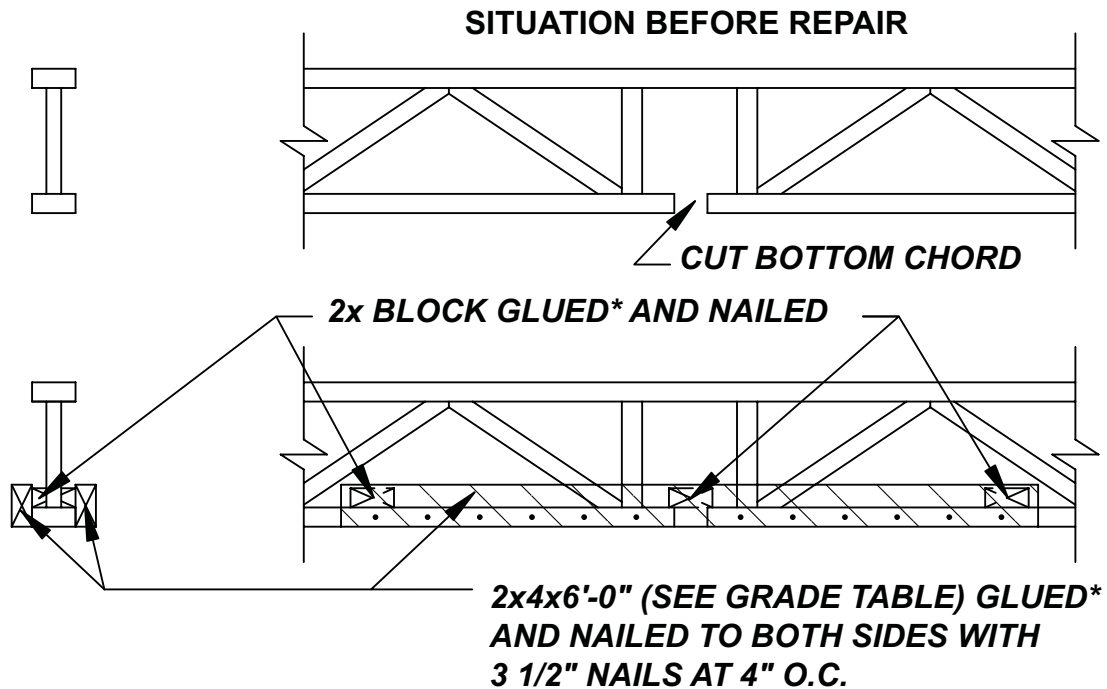


**\*BULLDOG GRIP PL PREMIUM GLUE OR EQUIVALENT: WATERPROOF GLUE WITH A SHEAR STRENGTH GREATER THAN 540 PSI.**

## GRADE TABLE

GRADE OF OPEN JOIST	MIN. GRADE OF 2x4 LUMBER
SPF #1/#2	SPF #1/#2 or SYP #3
SPF 2100F 1.8E	SPF #1/#2 or SYP #3
SPF 2400F 2.0E	SPF SS or SPF 1450F 1.3E or SYP #2

# TYPICAL REPAIR METHOD FOR ACCIDENTALLY CUT BOTTOM CHORD

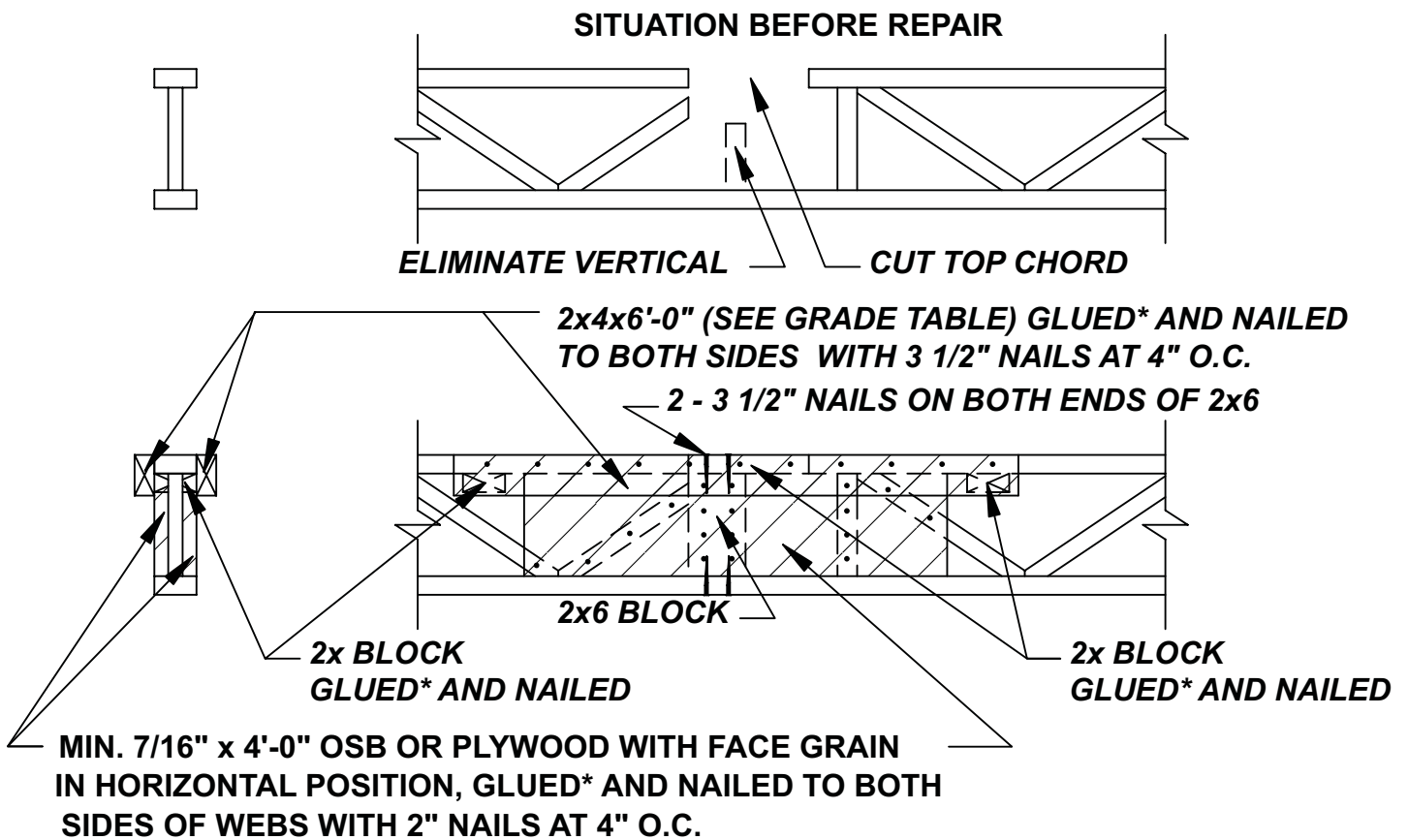


**\*BULLDOG GRIP PL PREMIUM GLUE OR EQUIVALENT: WATERPROOF GLUE WITH A SHEAR STRENGTH GREATER THAN 540 PSI.**

**GRADE TABLE**

GRADE OF OPEN JOIST	MIN. GRADE OF 2x4 LUMBER
SPF #1/#2	SPF #1/#2 or SYP #2
SPF 2100F 1.8E	SPF SS or SPF 1450F 1.3E or SYP #1
SPF 2400F 2.0E	SPF 1650F 1.5E or SYP Non-Dense SS

# TYPICAL REPAIR METHOD FOR ACCIDENTALLY CUT TOP CHORD AND WEB MEMBER

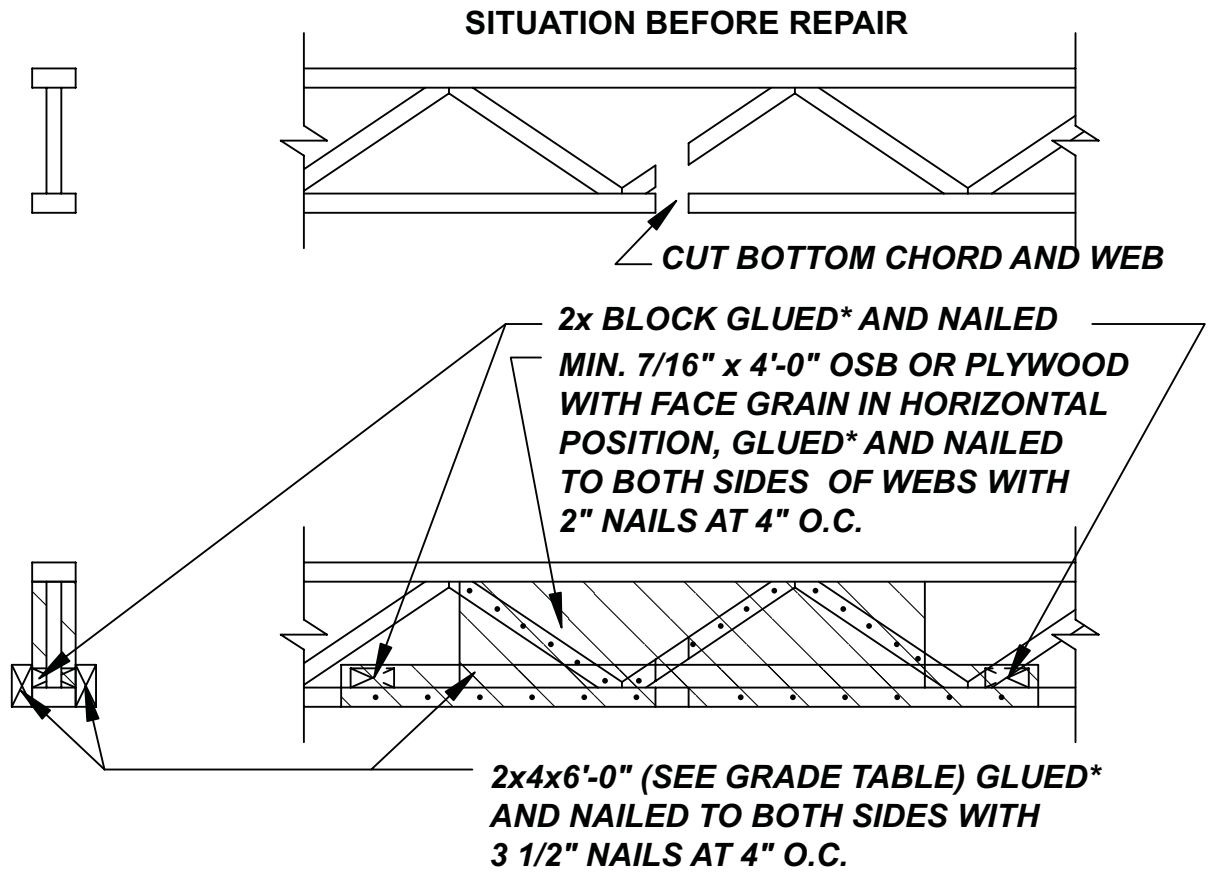


**\*BULLDOG GRIP PL PREMIUM GLUE OR EQUIVALENT: WATERPROOF GLUE WITH A SHEAR STRENGTH GREATER THAN 540 PSI.**

### GRADE TABLE

GRADE OF OPEN JOIST	MIN. GRADE OF 2x4 LUMBER
SPF #1/#2	SPF #1/#2 or SYP #3
SPF 2100F 1.8E	SPF #1/#2 or SYP #3
SPF 2400F 2.0E	SPF SS or SPF 1450F 1.3E or SYP #2

# TYPICAL REPAIR METHOD FOR ACCIDENTALLY CUT BOTTOM CHORD AND WEB MEMBER

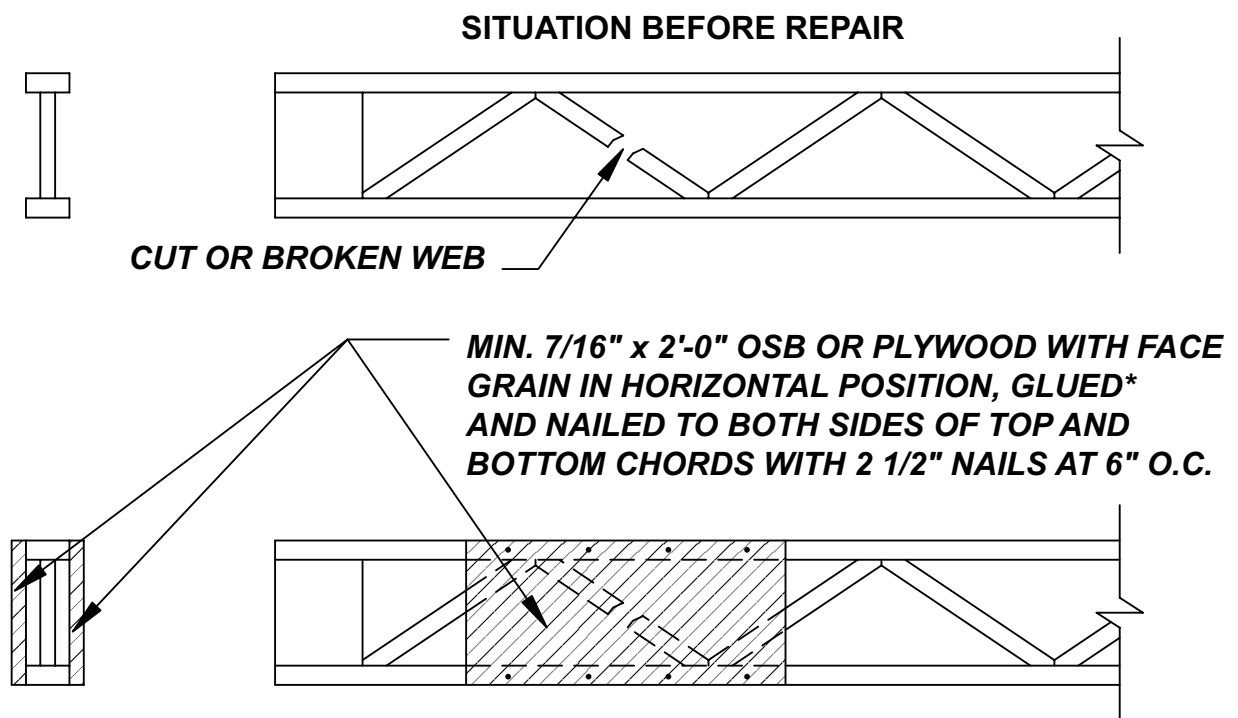


**\*BULLDOG GRIP PL PREMIUM GLUE OR EQUIVALENT: WATERPROOF GLUE WITH A SHEAR STRENGTH GREATER THAN 540 PSI.**

**GRADE TABLE**

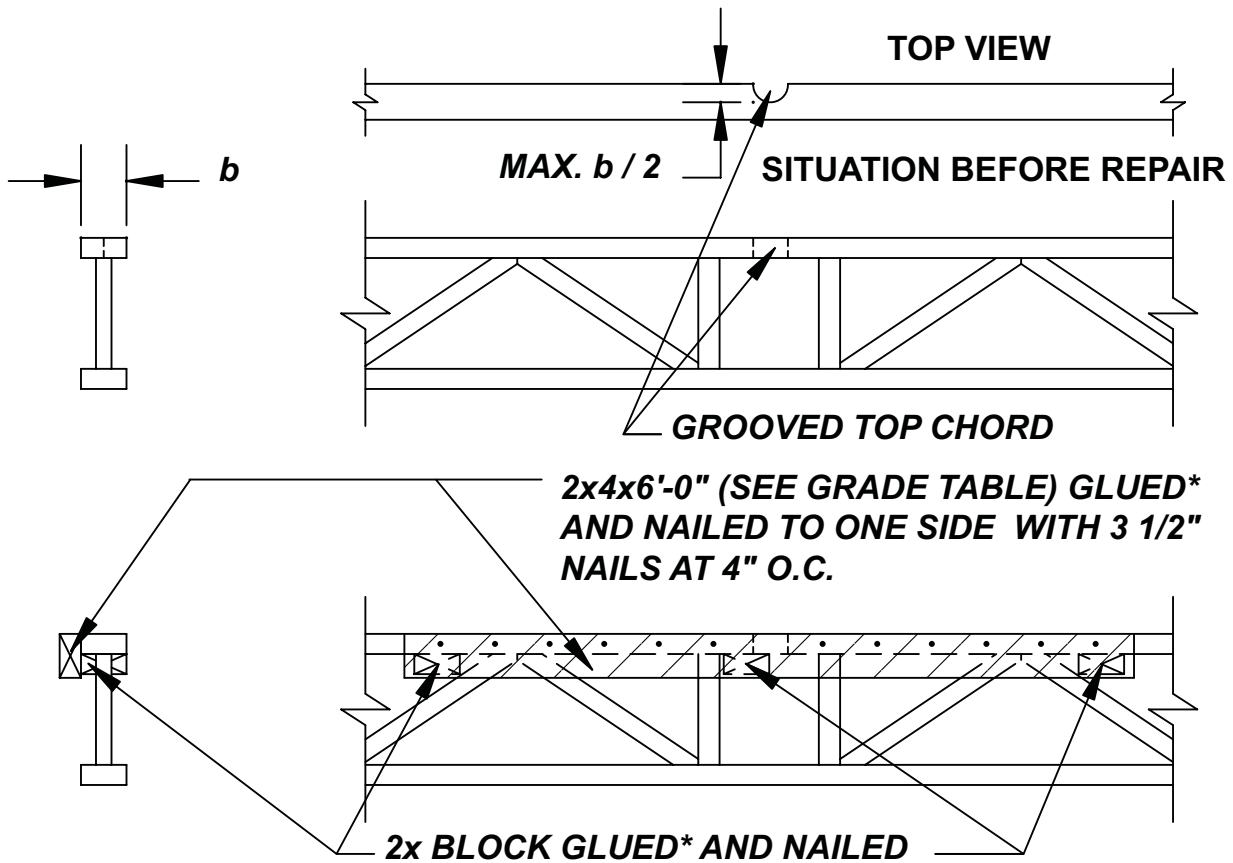
GRADE OF OPEN JOIST	MIN. GRADE OF 2x4 LUMBER
SPF #1/#2	SPF #1/#2 or SYP #2
SPF 2100F 1.8E	SPF SS or SPF 1450F 1.3E or SYP #1
SPF 2400F 2.0E	SPF 1650F 1.5E or SYP Non-Dense SS

# TYPICAL REPAIR METHOD FOR ACCIDENTALLY CUT OR BROKEN WEB



**\*BULLDOG GRIP PL PREMIUM GLUE OR EQUIVALENT:  
WATERPROOF GLUE WITH A SHEAR STRENGTH  
GREATER THAN 540 PSI.**

# TYPICAL REPAIR METHOD FOR ACCIDENTALLY GROOVED TOP CHORD

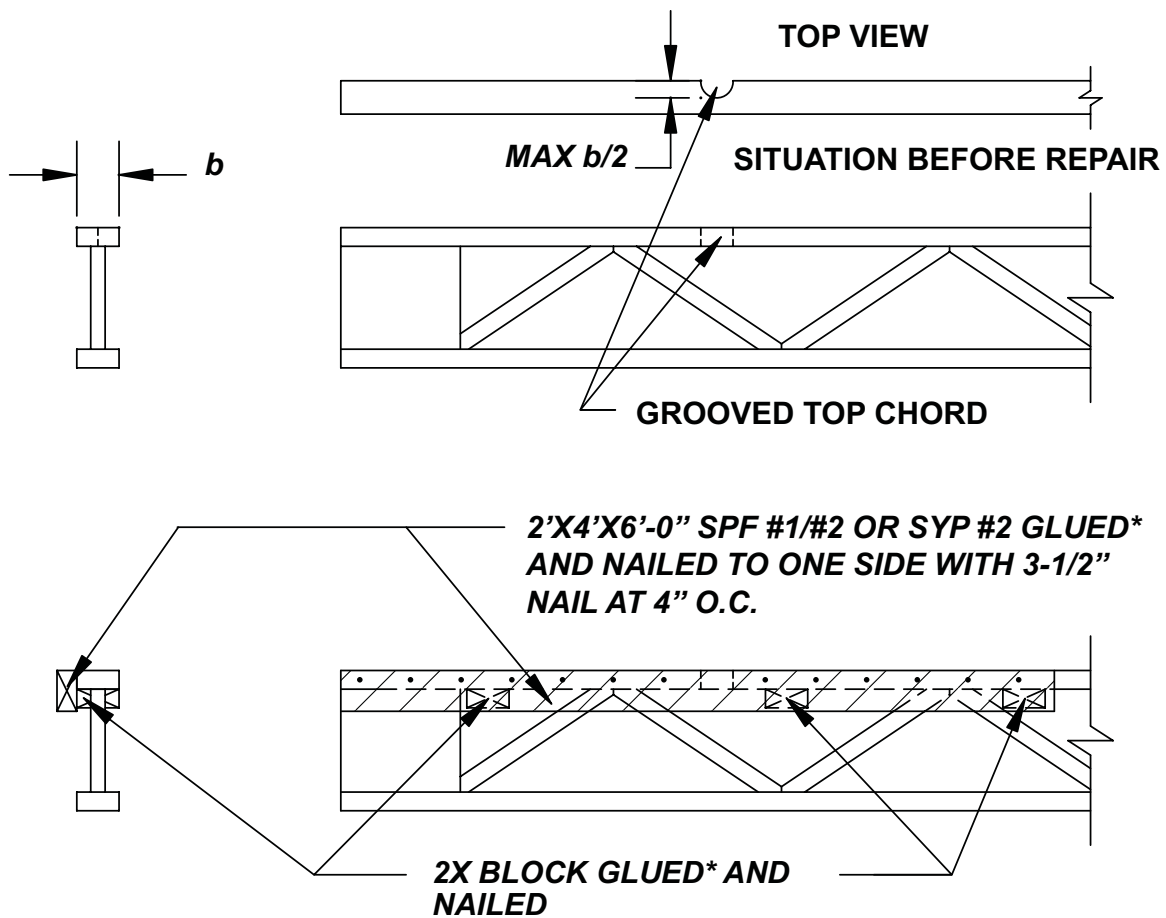


**\*BULLDOG GRIP PL PREMIUM GLUE OR EQUIVALENT: WATERPROOF GLUE WITH A SHEAR STRENGTH GREATER THAN 540 PSI.**

## GRADE TABLE

GRADE OF OPEN JOIST	MIN. GRADE OF 2x4 LUMBER
SPF #1/#2	SPF #1/#2 or SYP #3
SPF 2100F 1.8E	SPF #1/#2 or SYP #3
SPF 2400F 2.0E	SPF SS or SPF 1450F 1.3E or SYP #2

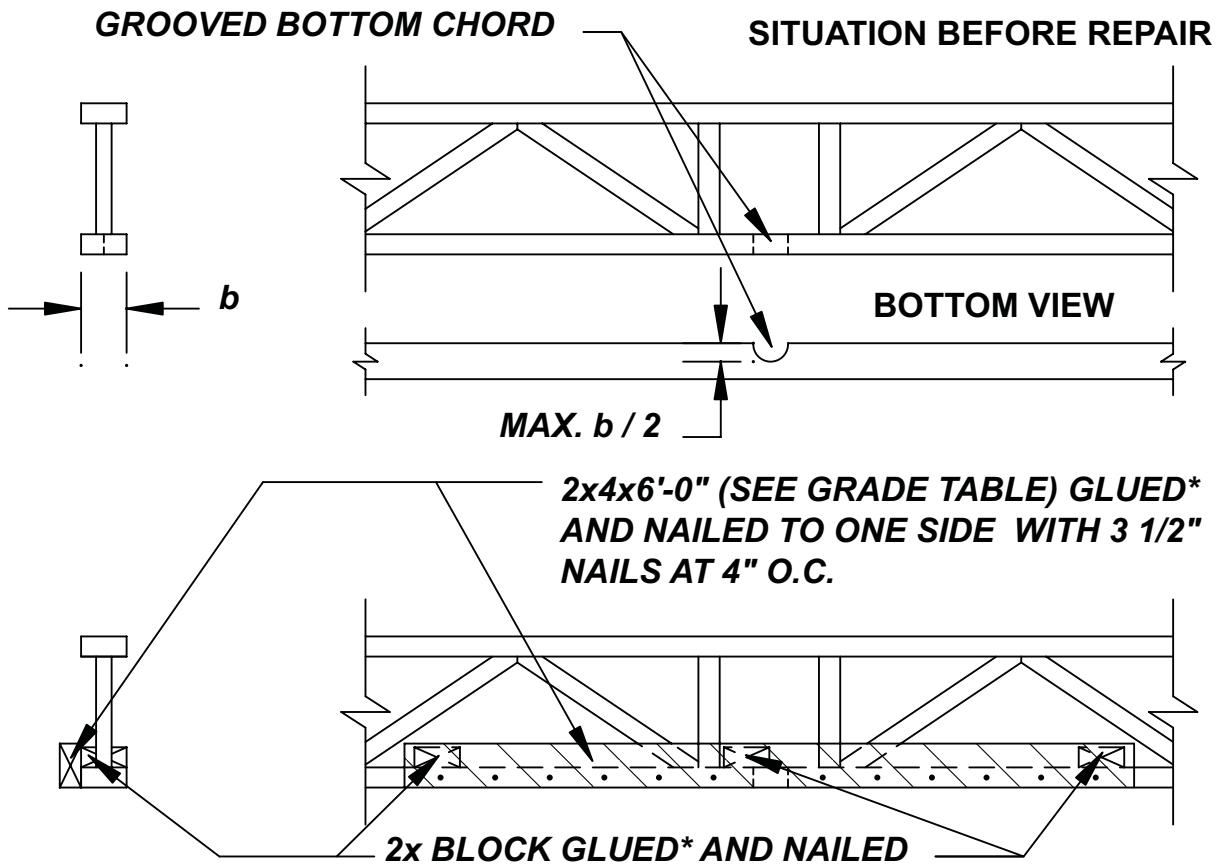
# TYPICAL REPAIR METHOD FOR ACCIDENTALLY GROOVED TOP CHORD (CRITICAL SHEAR AREA)



**\*BULLDOG GRIP PL PREMIUM GLUE OR EQUIVALENT:  
WATERPROOF GLUE WITH A SHEAR STRENGTH  
GREATER THAN 540 PSI.**



# TYPICAL REPAIR METHOD FOR ACCIDENTALLY GROOVED BOTTOM CHORD



**\*BULLDOG GRIP PL PREMIUM GLUE OR EQUIVALENT: WATERPROOF GLUE WITH A SHEAR STRENGTH GREATER THAN 540 PSI.**

## GRADE TABLE

GRADE OF OPEN JOIST	MIN. GRADE OF 2x4 LUMBER
SPF #1/#2	SPF #1/#2 or SYP #2
SPF 2100F 1.8E	SPF SS or SPF 1450F 1.3E or SYP #1
SPF 2400F 2.0E	SPF 1650F 1.5E or SYP Non-Dense SS